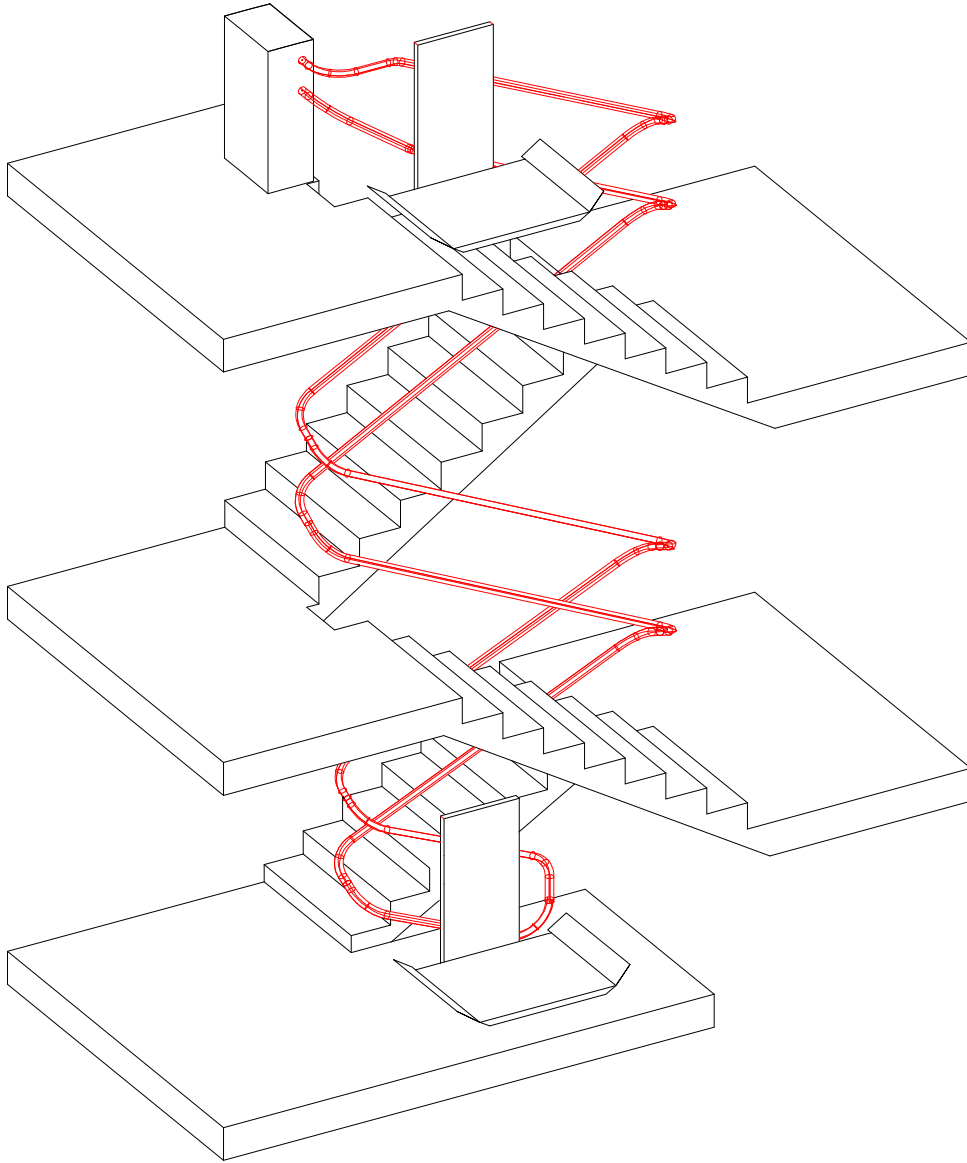


Omega F

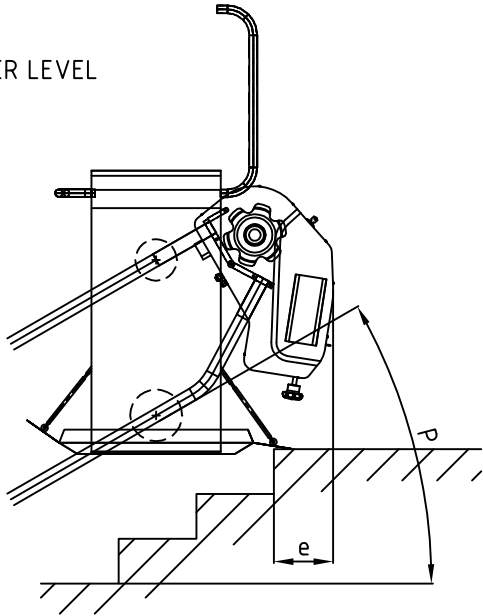


Ω MEGA
stairlift

CE

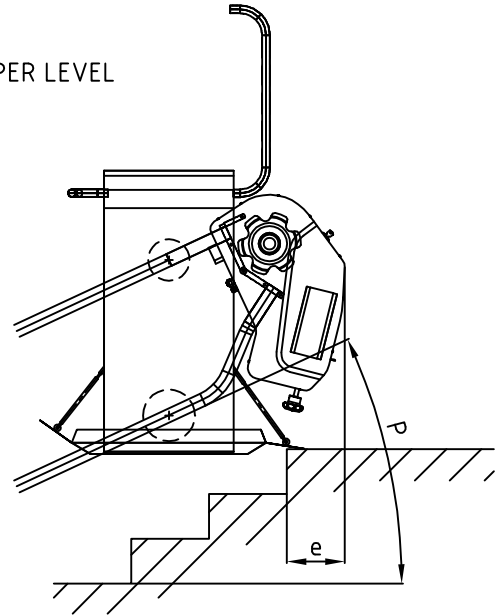
DESIGN A

UPPER LEVEL



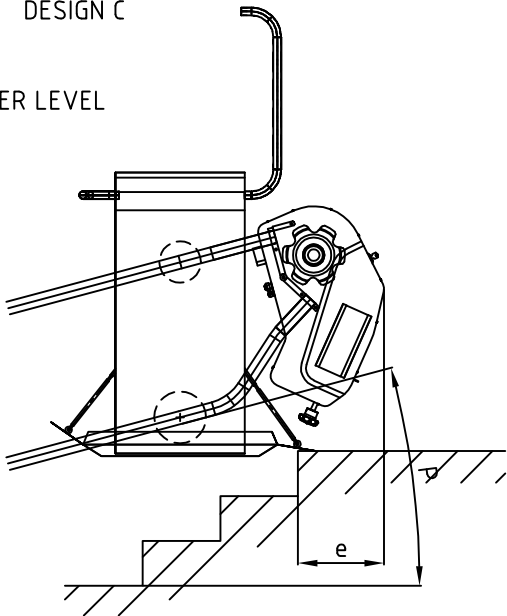
DESIGN B

UPPER LEVEL



DESIGN C

UPPER LEVEL

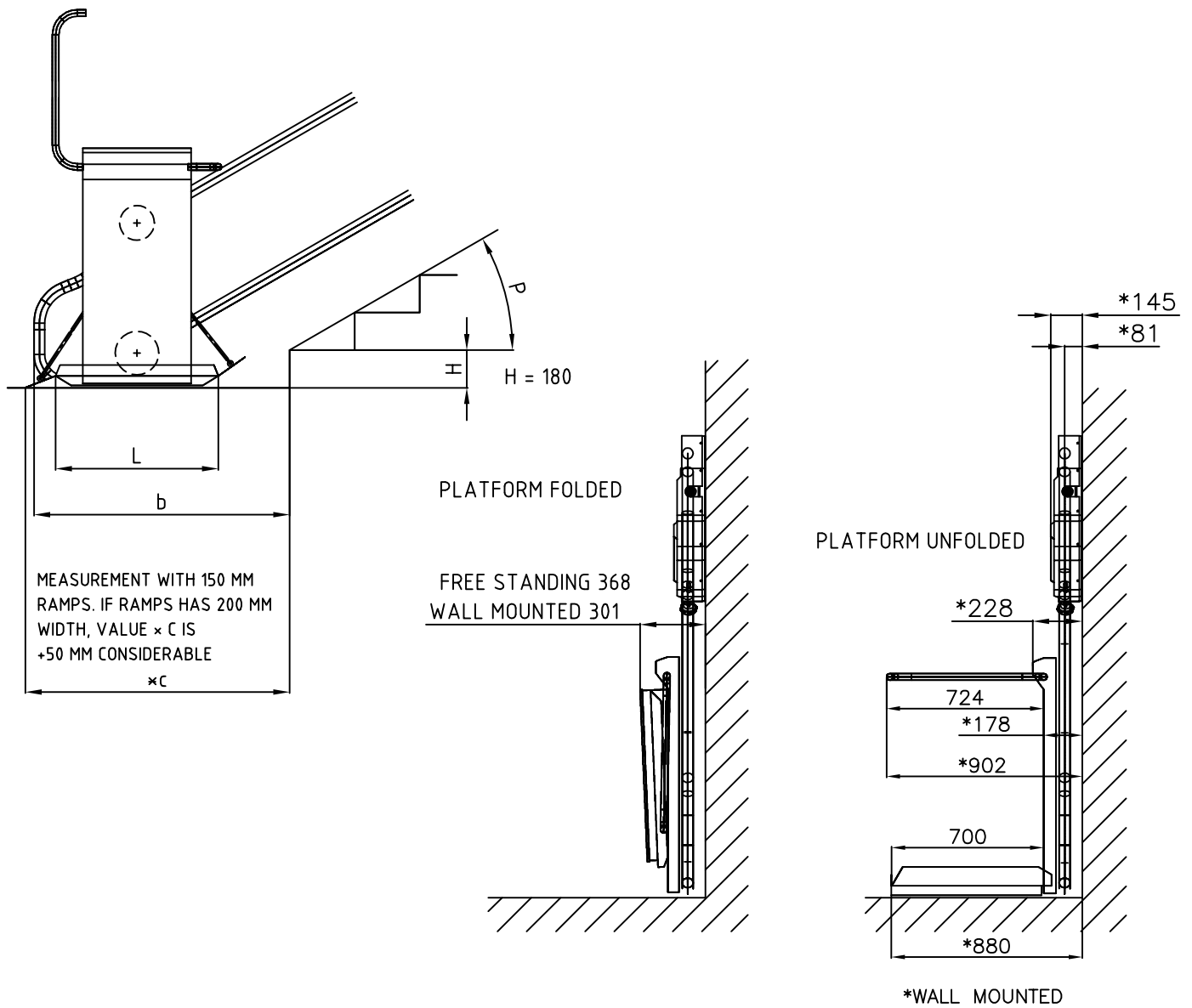


NEW DRIVE UNIT OMEGA-F

C	0°	397	347	322	272	147
	15°	323	273	248	198	73
B	22°	212	162	137	87	-38
	23°	213	163	138	88	-37
	25°	214	164	139	89	-36
	27°	214	164	139	89	-36
A	28°	214	164	139	89	-36
	30°	218	168	143	93	-32
	35°	227	177	152	102	-23
	40°	237	187	162	112	-13
Design	45°	255	205	180	130	5
	P	e	e	e	e	e
	Gradient	L = 750	L = 850	L = 900	L = 1000	L = 1250

Waiver: This data sheet is for guidance only and can not be used for proper working drawings. Please contact supplier for particular details before proceeding. Owing to our policy of continual improvement we reserve the right to after specifications and dimensions without prior notice.

LOWER LEVEL



25°	0,5 L + 880	L + 541
30°	0,5 L + 824	L + 479
35°	0,5 L + 753	L + 440
37°	0,5 L + 718	L + 411
47°	0,5 L + 634	L + 354
P	b	*c
GRADIENT	L - SPECIAL LENGTH	

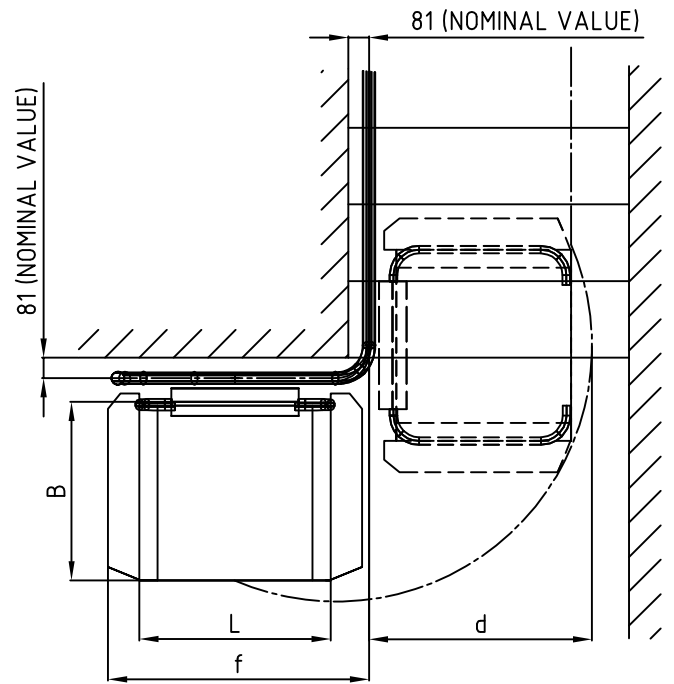
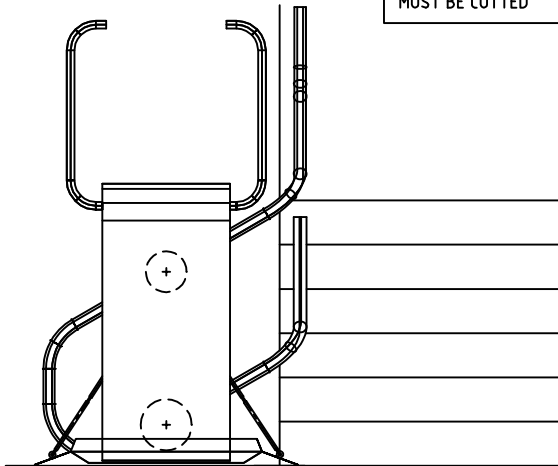
25°	1272	1288	1322	1388	1347	1438	1397	1538	1522	1788
30°	1218	1233	1268	1333	1293	1383	1343	1483	1468	1733
35°	1179	1194	1229	1294	1254	1344	1304	1444	1429	1694
37°	1135	1166	1185	1266	1210	1316	1260	1416	1385	1666
47°	1064	1108	1114	1208	1139	1258	1189	1358	1314	1608
P	b	*c	b	*c	b	*c	b	*c	b	*c
GRADIENT	L = 750		L = 850		L = 900		L = 1000		L = 1250	

Waiver: This data sheet is for guidance only and must not be used for proper working drawings. Please contact supplier for particular details before proceeding. Owing to our policy of continual improvement we reserve the right to after specifications and dimensions without prior notice.

90° CURVE

WALL

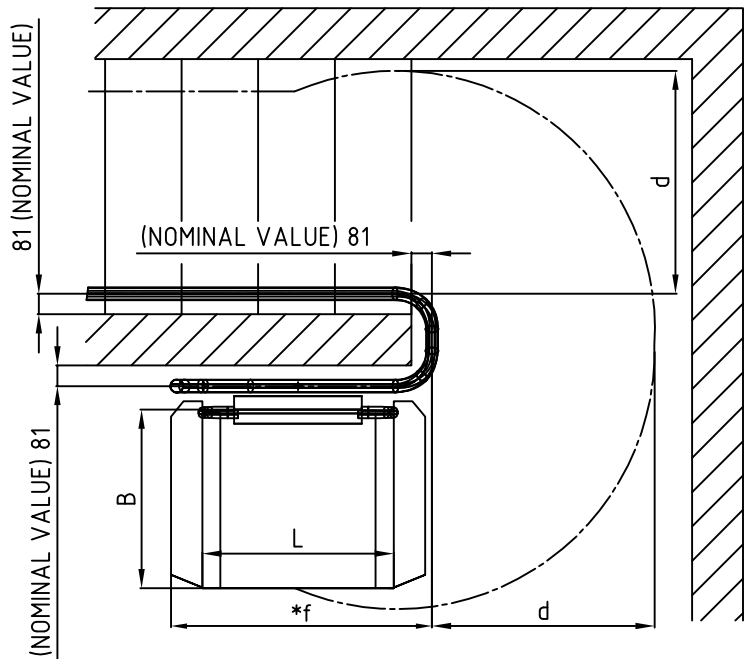
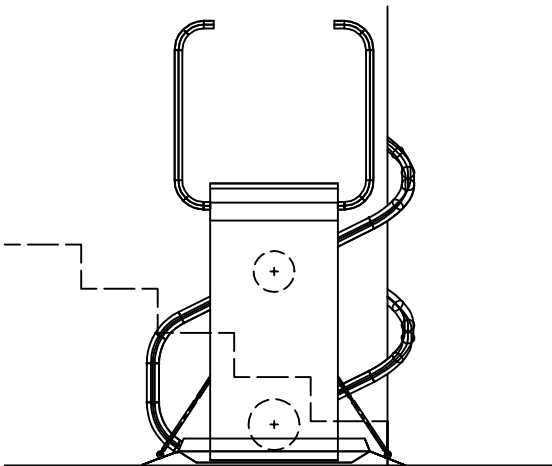
IF NOMINAL VALUE IS SMALLER THEN 81 MM, IN UPPER PIPE SURROUNDING WALL EDGE MUST BE CUTTED



180° CURVE

WALL BETWEEN RAIL

IF NOMINAL VALUE IS SMALLER THEN 81 MM, IN UPPER PIPE SURROUNDING WALL EDGE MUST BE CUTTED



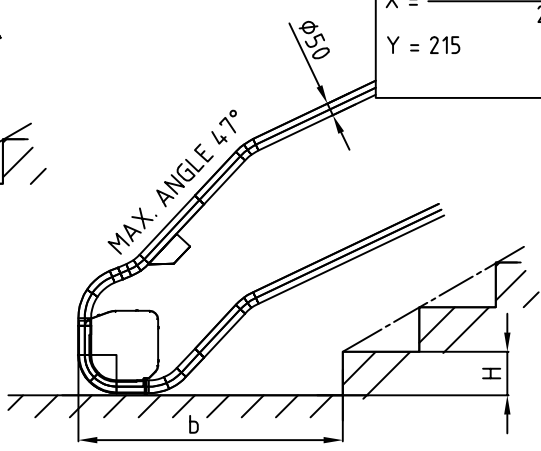
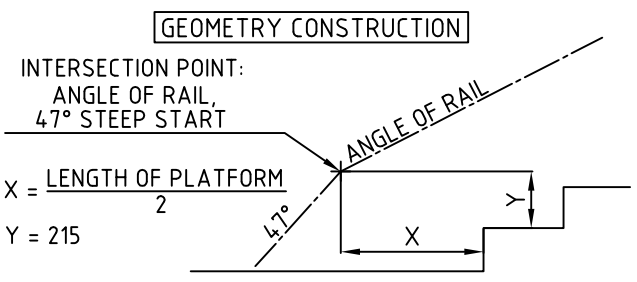
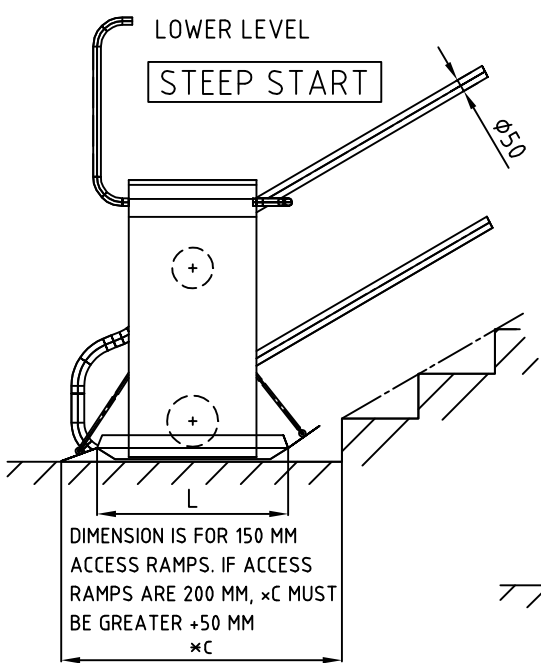
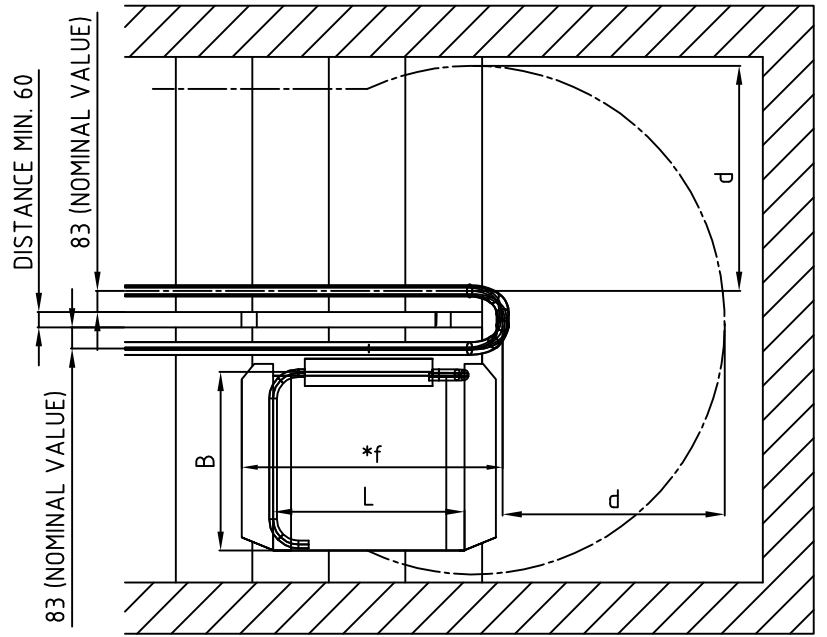
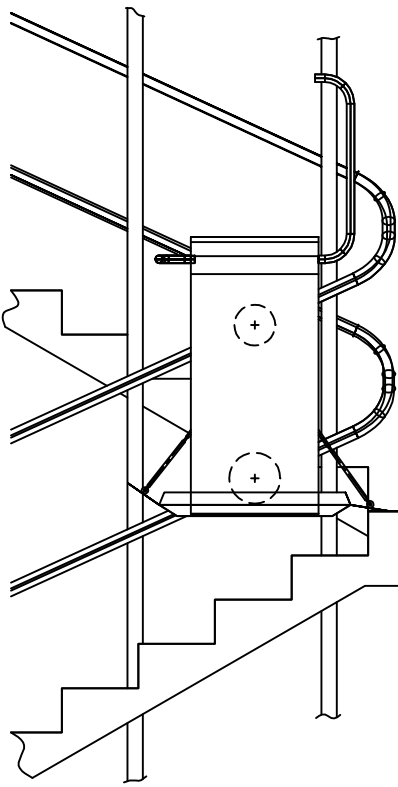
PLATFORM LENGTH L	ACCESS RAMPS	PLATFORM WIDTH B										*f
		600	640	670	700	740	750	770	800	900	1000	
		d										
750	200	789	823	848	874	909	917	935	962	1054	1149	1150
850	200	816	849	874	899	942	950	959	985	1074	1163	1250
900	200	832	864	889	914	947	955	973	998	1085	1174	1300
1000	200	862	894	918	942	975	983	1000	1023	1110	1197	1400
1250	200	930	960	985	1007	1046	1054	1060	1085	1167	1251	1650

*f is valid for ramp 200mm.
For ramp 150mm can be 100mm shorter

Waiver: This data sheet is for guidance only and must not be used for proper working drawings. Please contact supplier for particular details before proceeding. Owing to our policy of continual improvement we reserve the right to after specifications and dimensions without prior notice.

180° CURVE WITHOUT WALL

IF HANDRAIL ON STAIRCASE
EXIST, RAIL CAN BE FIXED
THROUGH HANDRAIL



MAX ANGLE FOR STEEP START OF 47°												
150	1036	1081	1086	1181	1111	1231	1161	1331	1286	1576	0,5 L + 619	L + 331
160	1046	1090	1096	1190	1121	1240	1171	1340	1296	1585	0,5 L + 628	L + 340
170	1055	1099	1105	1199	1130	1249	1180	1349	1305	1595	0,5 L + 637	L + 349
180	1064	1108	1114	1208	1139	1258	1189	1358	1314	1602	0,5 L + 646	L + 358
190	1074	1117	1124	1217	1149	1267	1199	1367	1324	1611	0,5 L + 655	L + 367
200	1083	1126	1133	1226	1158	1276	1208	1376	1333	1621	0,5 L + 664	L + 376
H HEIGHT 1. STEP	b	*c	b	*c	b	*c	b	*c	b	*c	b	*c
	L = 750		L = 850		L = 900		L = 1000		L = 1250		L = SPECIAL SIZE	

Waiver: This data sheet is for guidance only and must not be used for proper working drawings. Please contact supplier for particular details before proceeding. Owing to our policy of continual improvement we reserve the right to after specifications and dimensions without prior notice.