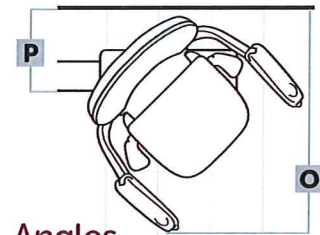
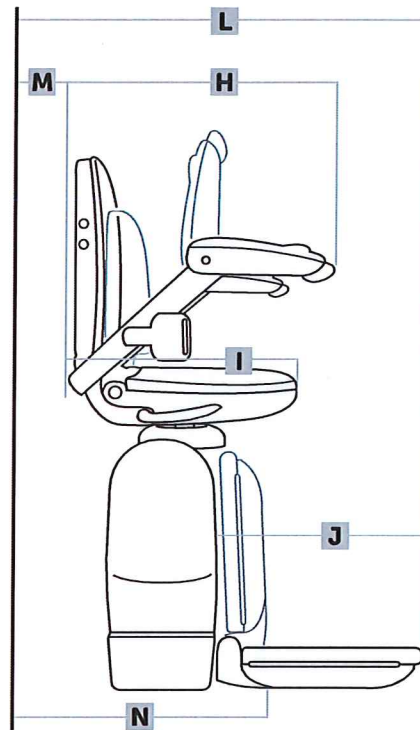
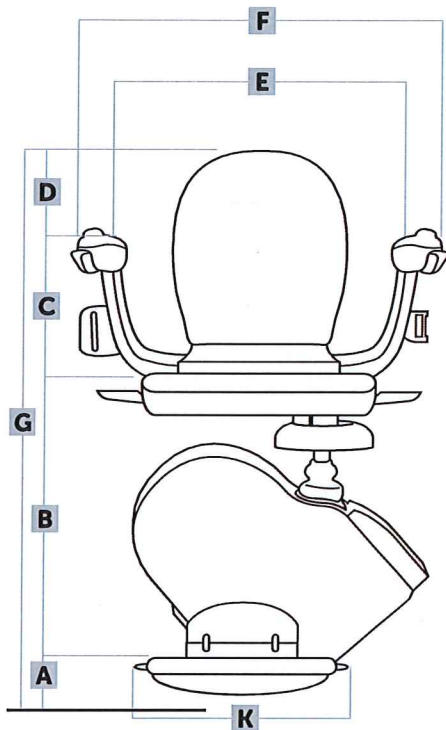


Acorn 130 Superglide / Outdoor



Angles

Standard Indoor 130

Short seat post 40-55

Standard seat post 29-55°

Tall seat post 23-55°

Power Swivel 130 (indoor only)

Standard seat post 36-55°

Tall seat post 23-55°

Outdoor 130

Standard seat post 27-55°

Hinge Section 130 (indoor only)

RF Auto hinge folds back 120°

Manual hinge folds back 130°

Maximum Rail Length

10 metres 394 inches

Specifications

Dimensions

	mm	inch
A Floor to top of footrest	95	3 ³ / ₄
B Top of footrest to top of seat (Short) (Tall)	445 (410) (505)	17 ¹ / ₂ (16 ¹ / ₄) (19 ³ / ₄)
C Top of seat to top of arms	250	9 ³ / ₄
D Top of arms to top of seat back	190	7 ¹ / ₂
E Width between armrests (Wide arm version)	445 (495)	17 ¹ / ₂ (19 ¹ / ₂)
F Overall width	605	23 ³ / ₄
G Overall height to floor	980	38 ¹ / ₂
H Length of arms from seat back	470	18 ¹ / ₂
I Length of seat base from seat back	435	17
J Length of footrest	325	12 ³ / ₄
K Width of footrest	310	12 ¹ / ₄
L Front of footrest to stringer	570	22 ¹ / ₂
M Back of seat to stringer	13	1/2
N Folded width	310	12 ¹ / ₄
O Minimum width required to swivel at top	670	26 ¹ / ₄
P Distance from front of rail to stringer (Wide arm version)	215 (240)	8 ¹ / ₂ (9 ¹ / ₂)

Power supply input range 120 - 240v AC

Carriage power 24v DC batteries

Motor Power 0.25KW

Method of Drive Rack and Pinion

Maximum Capacity 127kgs (19.9st) (300lbs)*

Maximum Capacity HD version 159kg (25st) (350lbs)*

Motor Output Speed No greater than 0.15 m/s

Measurements are only a guide and subject to site and client survey.
*300lbs / 350lbs reference applies to the USA / CANADA certification ONLY.